

BFK-BC control box

User Manual



Safety instructions

READ THIS INSTRUCTION MANUAL BEFORE USE

In particular, the safety instructions and operating procedures must be fully understood before using the device.

Keep this manual handy for reference.


In this instruction manual, identifying terms are used to indicate the degree or level of safety. Their definitions are as follows:

WARNING

Indicates a potentially dangerous situation that, if not avoided, can result in serious injury.

PRECAUTION

Indicates a potentially hazardous situation that is likely to cause minor to moderate bodily injury or property damage.

Even situations reported by  PRECAUTION are likely to cause serious injury in certain circumstances. The safety instructions must therefore be strictly and systematically observed.

Precautions for use

Before use

WARNING

Make sure to connect the power plug to a USB port on the PC.
Otherwise, in the event of a malfunction or current leakage,
There is a risk of electric shock or fire.

Do not modify the device. Do not remove the covers to touch the interior.
There is a risk of electric shocks or malfunction.

The device does not contain any parts for the user to troubleshoot.

PRECAUTION

- Do not use this appliance for any purpose other than that for which it was designed. Glasspop cannot be held responsible for accidents or failures resulting from improper use.
- Be sure to use the BFK-BC control box in accordance with the on-screen instructions and voice prompts. Failure to comply with these indications may result in a malfunction.
- Install the BFK-BC control box in an environment that meets the following conditions. If the following conditions are not met, inaccurate information, electric shock, or malfunction may occur.
 - Indoor environment in a suitable room
 - Free from any shock or vibration
 - Level and stable
 - Not exposed to water
 - No magnetic environment near the kiosk
- When handling electrical components and the power supply, take the following precautions. Failure to follow these precautions may result in malfunction, electric shock, or fire.
 - Make sure to use the power cord provided.
 - Also, do not connect the supplied power cord to any other appliance.
- Do not use extension cables for the power supply.

In operation

PRECAUTION

- Do not disassemble any cover attached with screws, nuts or any other mechanical fasteners.
 - There is a risk of electric shock or damage to the device.
- Do not place the BFK-BC control box near a heat source.
- Before any maintenance is carried out, disconnect the device.

Device Movement & Maintenance

PRECAUTION

- For any change in the installation location of the BFK-BC control box, contact Glasspop.
- Only a technician trained by Glasspop is authorized to disassemble or repair the BFK-BC control box.
 - The main power cord should only be replaced by Glasspop-authorized personnel.
 - No parts and accessories should be replaced by personnel not authorized by Glasspop.
 - Glasspop declines all responsibility for adverse events resulting from maintenance or repair service carried out by unauthorised personnel.

Scrapping

PRECAUTION

Follow official government decrees and current recycling regulations regarding the disposal or recycling of components. Follow local government regulations and ordinances, especially when disposing of lithium batteries, printed circuit boards, plastic parts including brominated non-flammable products, liquid crystal display or power cord.

It is advisable to entrust the disposal of industrial products to a company specializing in the disposal of industrial products. Improper disposal can contaminate the environment.

Other

- Do not use the BFK-BC control box beyond its 8-year service life. Even with proper maintenance and checks, in the long run, reliability or safety may deteriorate and no longer be able to achieve the target values.
- The BFK-BC control box does not influence the electromagnetic environment at the proximity.
- Similarly, the BFK-BC control box is not influenced by the nearby electromagnetic environment.

Functional description

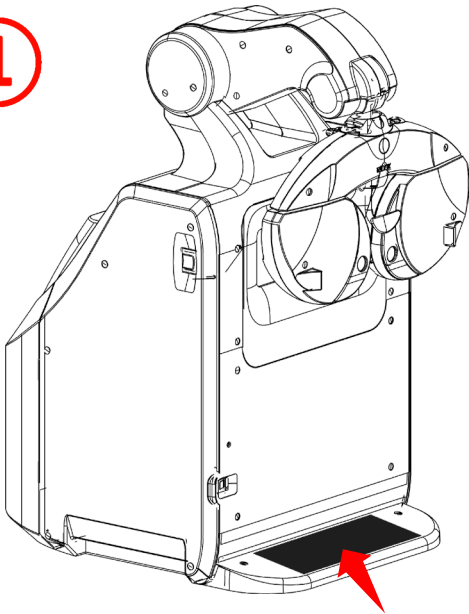
The BFK-BC control box is an accessory for the acquisition of patient responses during the automated eye exam. The latter allows you to interact with the glasspop[®] software driving an automatic refractor.

The BFK-BC control box consists of a push button and a joystick offering four degrees of freedom: Up, Down, Right and Left.

Equipped with an adhesive strip, the BFK-BC control box is attached to the automatic refractor.

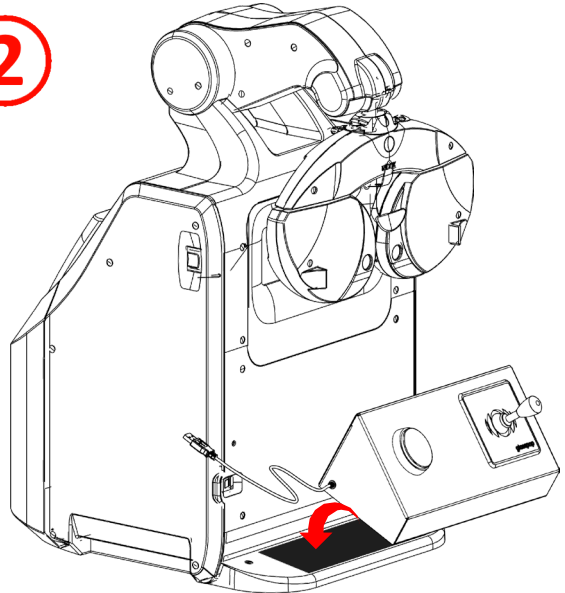
Disposition

1

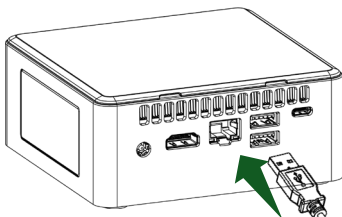


Attach on the foot of the refractor Automatic. Velcro strap supplied with the control box.

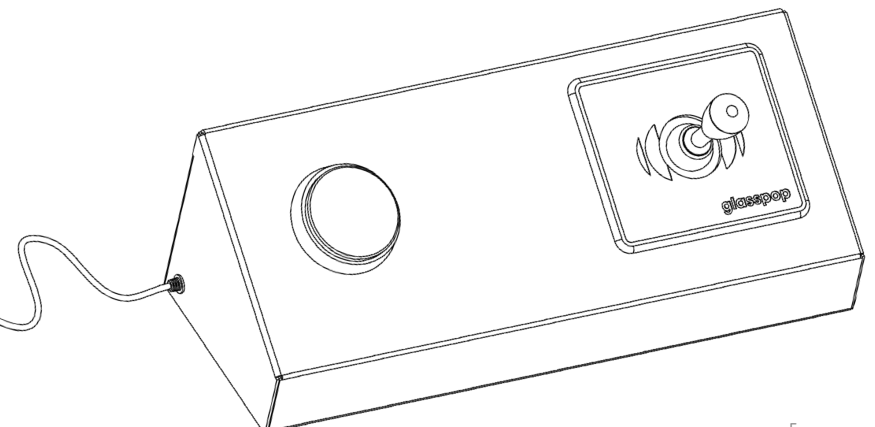
2



Attach the soft part of the Velcro strap under the case control system, then place it with some pressure on the foot of the automatic refractor.



Connect the control box using its USB cable (supplied) directly to the PC where the glasspop software is installed.

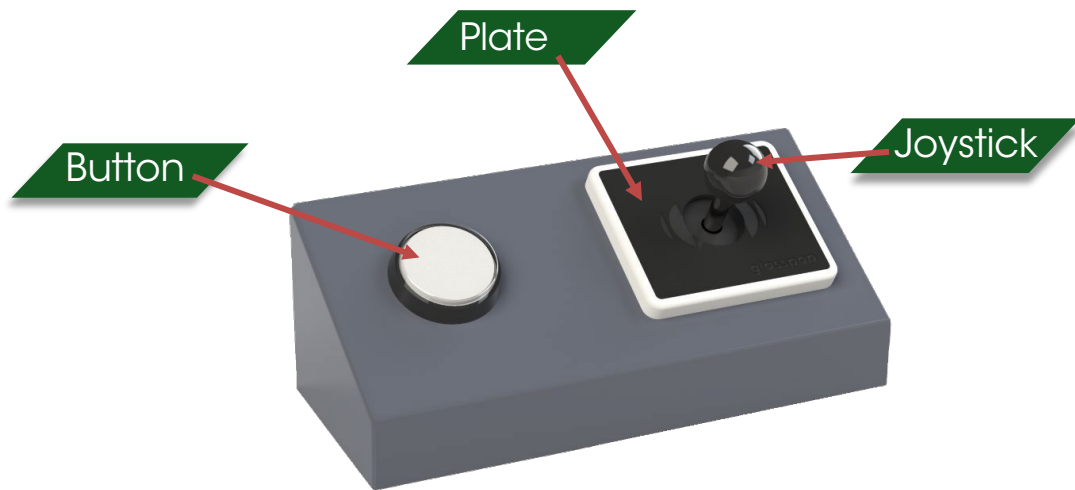


Cleaning

Daily Cleaning

Cleaning of the device should be done after each examination. Be sure to bring cleansing wipes.

The parts to be cleaned are those that are in contact with the skin.

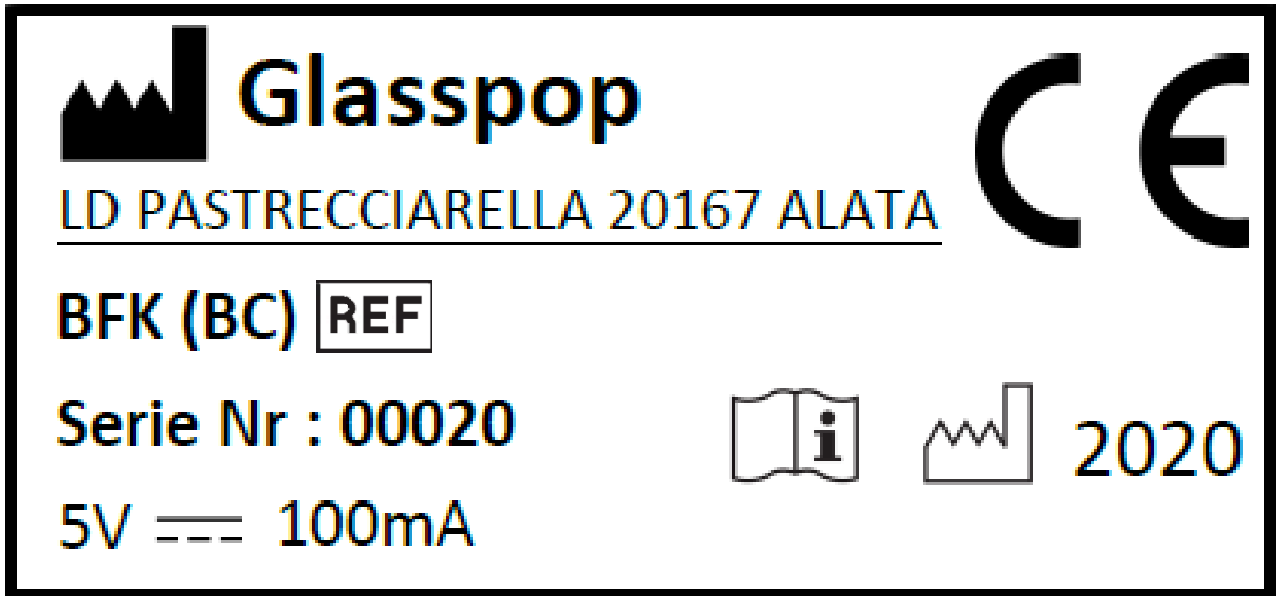


Control box

Technical characteristics

ELECTRICITY		
Supply voltage	Volt	5V continu (USB)
DIMENSIONS		
Height	mm	103,4
Width	mm	300
Depth	mm	118
Weight	Kg	2,21
USAGE		Continuous
ENVIRONMENT OF USE		Inside
Temperature	°C	0 to +35
RH Humidity	%	5 to 95
Pressure	hPa	800 to 1060
STORAGE		
Temperature	°C	-20 to +45
RH Humidity	%	5 to 95
TRANSPORT		
Temperature	°C	-20 to +45
RH Humidity	%	5 to 95

Identification Label



: **Maker**



: **Date defabrication**



: **Model number**

Nr Series **Serial Number**



: **Direct current**

Troubleshooting

Problem	Cause possible	solution
The button or joystick is not working	<ul style="list-style-type: none">•The USB cable is disconnected•The button is no longer recognized by the software	<ul style="list-style-type: none">•Reconnect the cable to the NUC•Unplug/reconnect the USB cable and restart the GPSESystem service.•Restart the pc